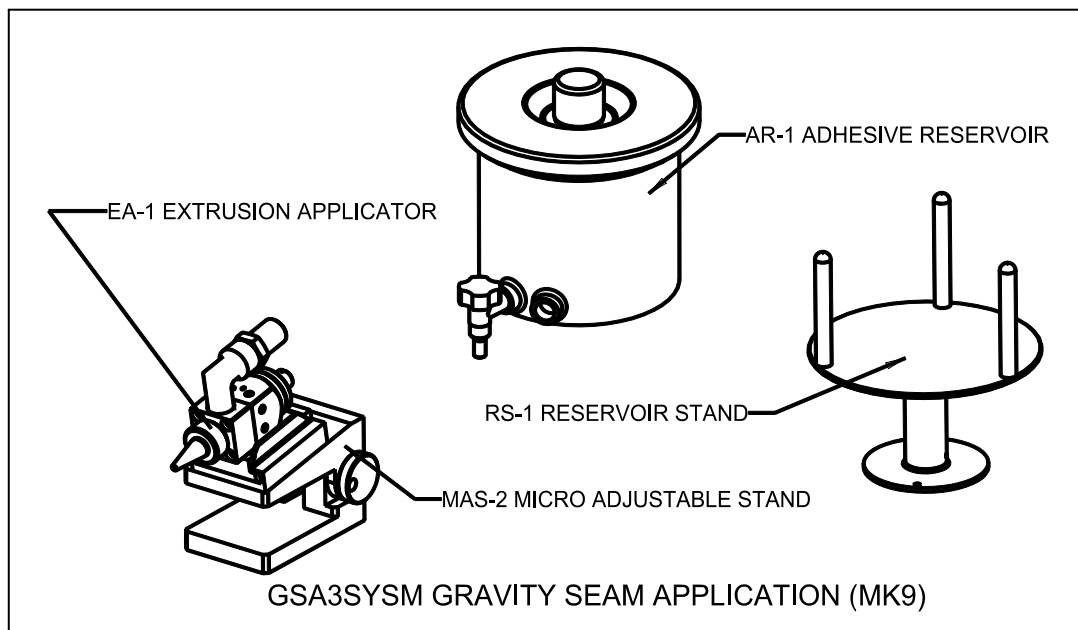


SOUTHLAKE CORP

CGSA3SYSM - CIGARETTE GRAVITY SEAM APPLICATION

For

MOLINS MK8 & 9 CIGARETTE MAKING MACHINES



The GSA3SYSM Gravity Seam Application System is designed for specific use on cigarette making machines to apply the PVA seam glue line. The system utilises the well-proven venturi effect within the nozzle to apply a consistent line of adhesive onto the cigarette paper proportionally to machine speed. The system is supplied complete with solenoid; Pipes; Fittings and all screws for simple fitment to the machine.

Main Features

- New compact design applicator valve with removable nozzle & needle from front of Valve.
- New Quick release applicator mounting bracket.
- New micro adjustable valve stand for rigid mounting & precise valve position Adjustment.
- New adhesive Reservoir manufactured from FDA approved Polyethylene.