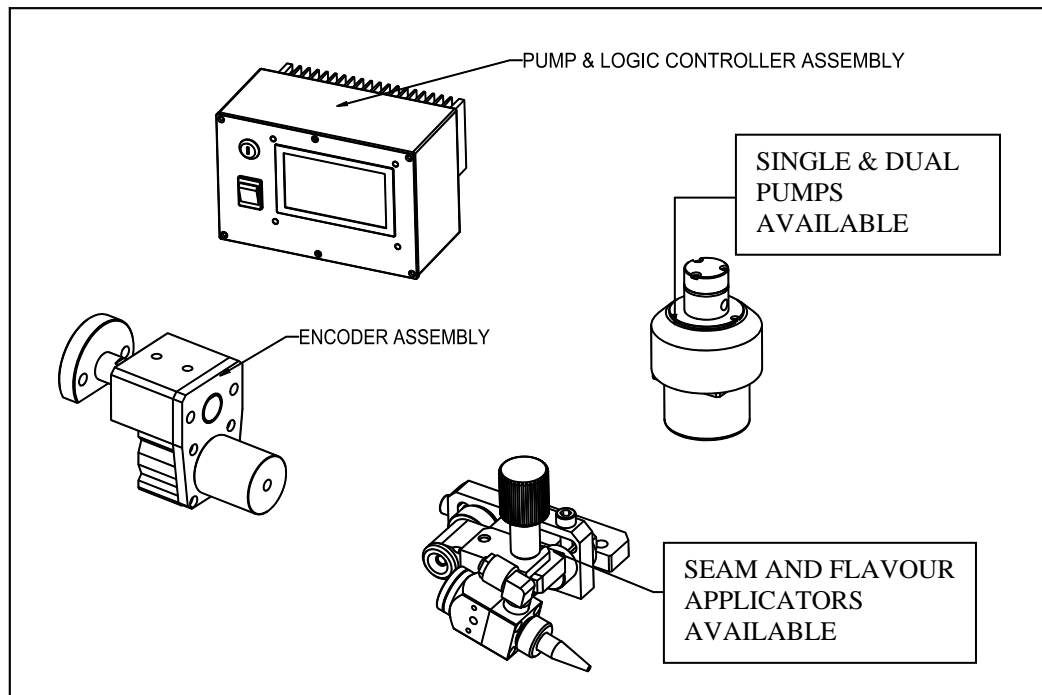


SOUTHLAKE CORP

CPSA42SYSM – PUMP SEAM & OR FLAVOUR APPLICATION

**For
MOLINS MK8 & 9 /PASSIM / HAUNI PROTOS RANGE OR
CIGAR MAKING MACHINES**



The CPSA42SYSM Pump Application System is designed for specific use on cigarette or cigar making machines to apply the seam glue line and or flavour to the rod. The Programmable Pump Controller gives infinite control over the proportional pump speed and adhesive or flavour flow, allowing the flow to be matched precisely to the machine speed and process requirements. The fluid pump is capable of handling a wide range of adhesives & fluids to suit the application.

Main Features

- Single or dual channel microprocessor controller with large touch panel LCD screen.
- Leak proof adhesive pump giving accurate control of proportional adhesive flow.
- Micro adjustable valve stand for rigid mounting & precise valve position Adjustment.
- Range of applicators and stands to suit specific machine requirements.
- Optional Automatic rod heaters available.