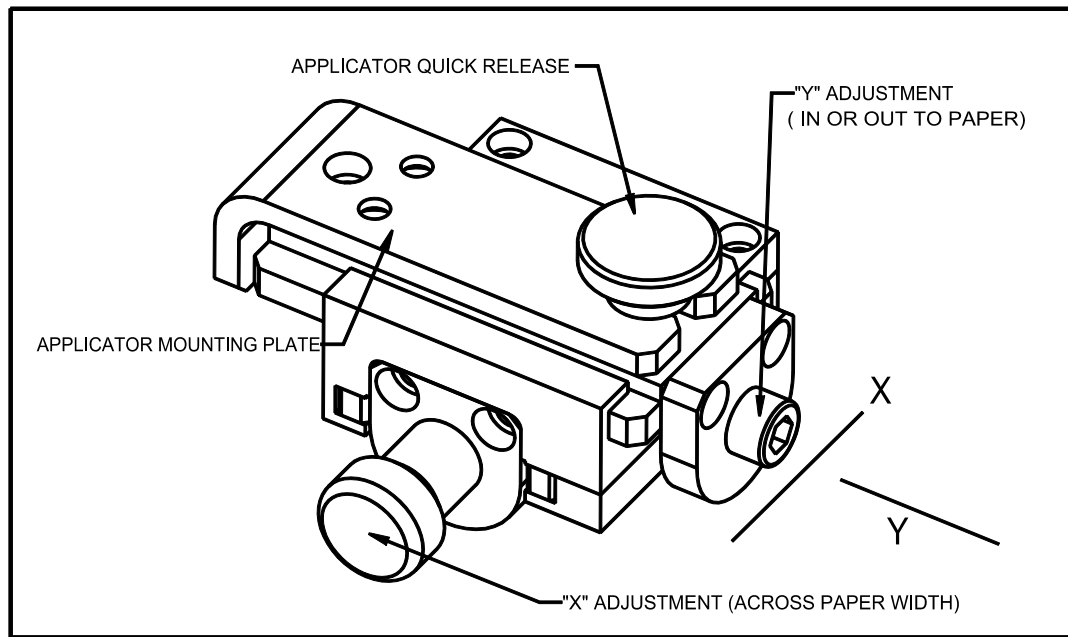


# ***SOUTHLAKE CORP***

## **MAS-1 MICRO ADJUSTABLE STAND**

**For**

### **MOUNTING OF *S.P.I.* RANGE OF ADHESIVE APPLICATORS**



The MAS-1 Micro Adjustable Stand is designed to support and provide operational adjustment for the range of *S.P.I.* adhesive applicators, to a variety of machines. X & Y micro adjustable axes are provided to allow full accurate adjustment for the respective applicators.

A quick release applicator mounting plate is provided to allow easy and simple removal of the applicator from the stand without upsetting the stand settings.

#### **Main Features**

- Rigid construction with simple slide adjustment.
- Quick release applicator mounting bracket.
- Small & compact design to allow multiple units in close proximity.
- Used with MP range of Mounting plates for a variety of machines.