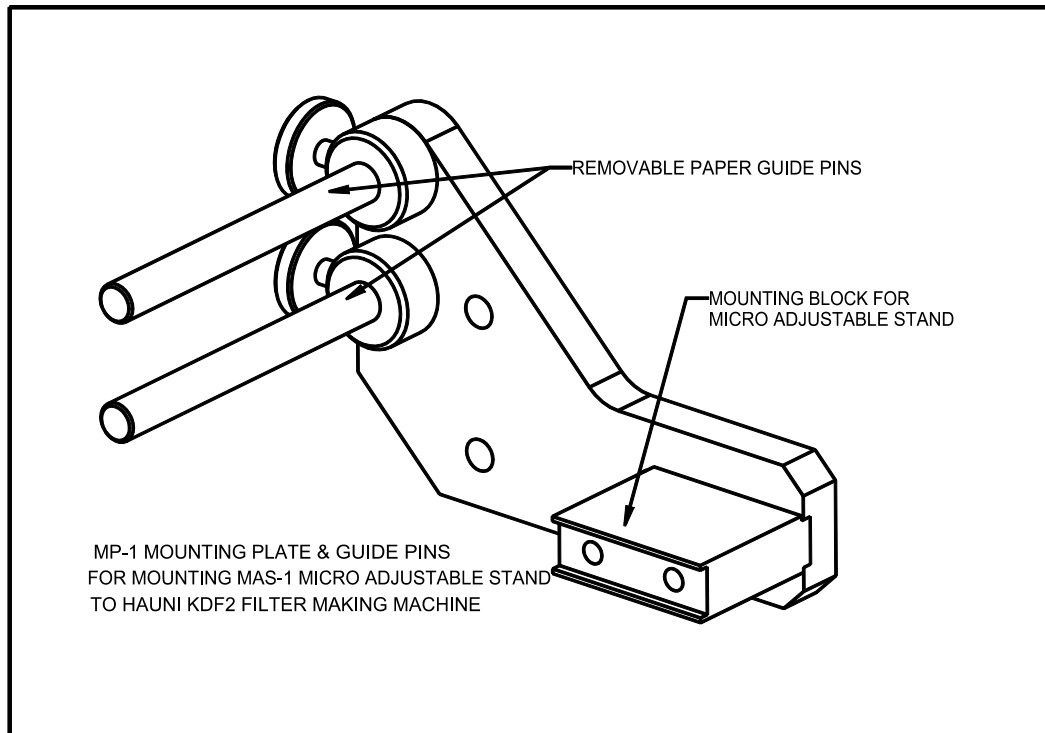


SOUTHLAKE CORP

MP-1 MOUNTING PLATE & GUIDE PINS

for

HAUNI KDF2 FILTER MAKING MACHINES



The MP-1 Mounting Plate & Guide Pins unit is designed to fit the Hauni KDF2 Filter Making machines, to allow the MAS-1 Micro adjustable Stand to be used in conjunction with the EA-1 Extrusion Applicator or the SA-1 Spray applicator for either side seam or internal anchorage adhesive application.

This Mounting Plate provides the rigid mounting for the adjustable stand together with hardened removable paper guide pins.

Main Features

- Rigid mounting for adjustable stand and applicator.
- Quick detachable hardened paper guide pins.
- Used with MAS-1 Micro Adjustable Stand & EA-1 Extrusion Applicator or SA-1 Spray Applicator
- Typical applications: - for mounting adjustable stands and applicators for Filter Side Seam or supplementary PVA line; Internal anchorage lines extrusion or spray.