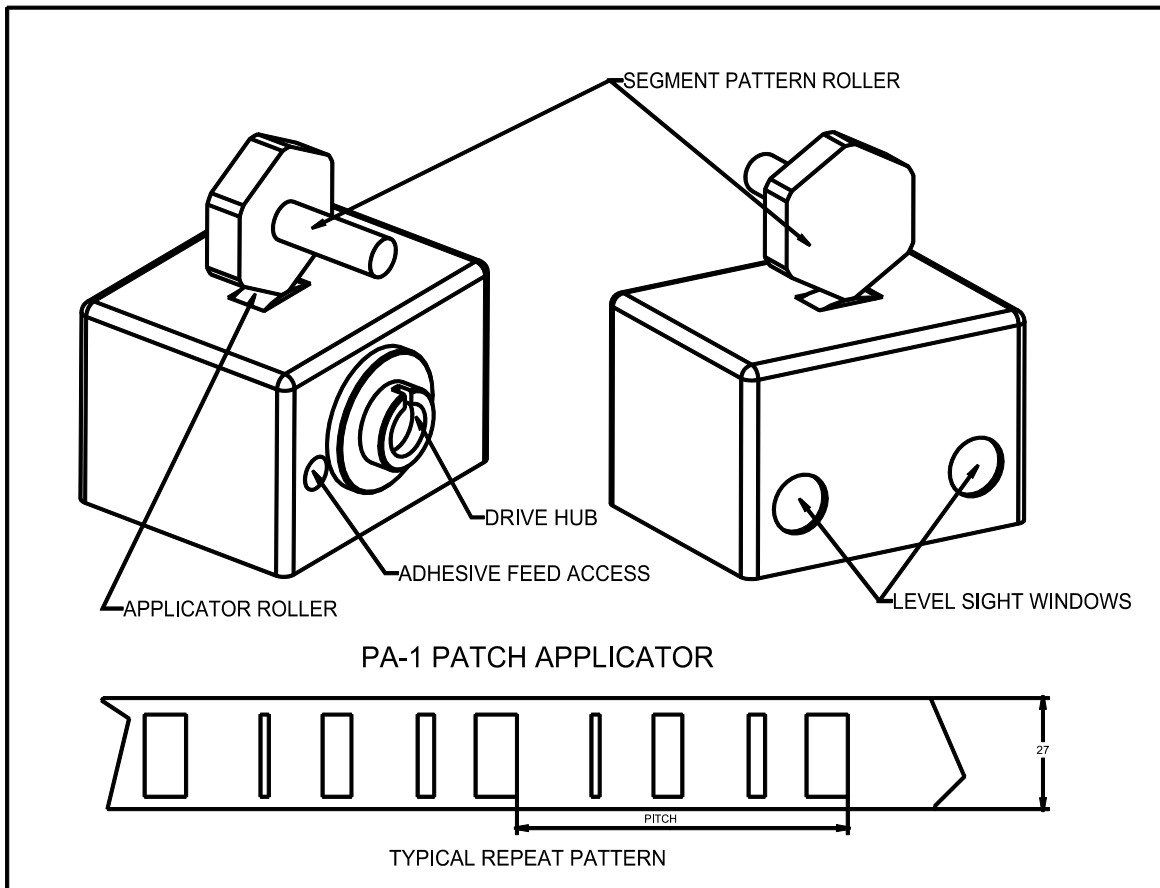


SOUTHLAKE CORP

PA-1 ADHESIVE PATCH APPLICATOR

for **APPLICATION OF REPEAT PATTERNS**



The PA-1 Adhesive Patch Applicator has been designed specifically to apply patches of adhesive onto cigarette or filter paper. Within the pattern pitch, the patches can be of different lengths and can vary in number, this is achieved by changing the topsegmented pattern roller & where necessary drive ratio of. The applicator can run at speeds in excess of 600 Mtrs/Min using PVA; Starch or Triacetine. Typically used for securing multiple segments in filter rods / Carbon retention / tobacco retention on cigarettes, etc, etc.

Main Features

- All Stainless Steel construction
- Internal Primary & secondary doctor blades.
- Level control facilities available
- Remote drives can be supplied for special machines.
- High speed application using PVA; Starch or Triacetine